

ENA

Designed by
ATELIER XTERIER



VALUE PROPOSAL



ENA Coffee Table, designed in line with contemporary sensibilities, reflects a minimalist and eco-friendly design ethos. The use of natural materials not only adds warmth and tranquility to spaces but also draws attention with its modern profile. This table ensures comfort and style in any space it is placed in.

With its aluminum frame and solid teak wood tabletop, this lightweight product allows for easy portability, while the high oil content of solid teak wood makes it resistant to water and decay. Additionally, the materiality of the table gives it a durable character that can seamlessly blend into any indoor or outdoor decor, ensuring longevity and versatility.

ENA

Designed by
ATELIER XTERIER

PRODUCTION TIME



6-8 weeks + Shipping

ASSEMBLY NOTES



The product is delivered assembled.

AREA OF USE



Suitable for both Indoor and Outdoor use.

WARRANTY



The warranty period shall be two years as of the date of delivery of the product.

Any malfunction that arises out of such use of the product that is in breach of the requirements and specifications set forth within the relevant user's manual shall be excluded from the warranty scope.

Warranty does not apply to customer's own fabric, leather, or other materials.

CLEANING & MAINTENANCE



Clean with a damp cloth with no chemical agents.

The maintenance and cleaning instructions for fabric, wood, marble, glass, metal and plastic used in our products are available in the cleaning and maintenance manual.

*Please scan the QR code to see the cleaning and maintenance manual.



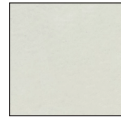
COLOURS & MATERIALS



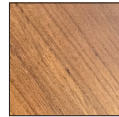
Tabletop: Solid teak

Base: Powder coated aluminum

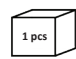

*Color and material preferences cannot be altered for this product.



IE WHITE SANDY
NC91119



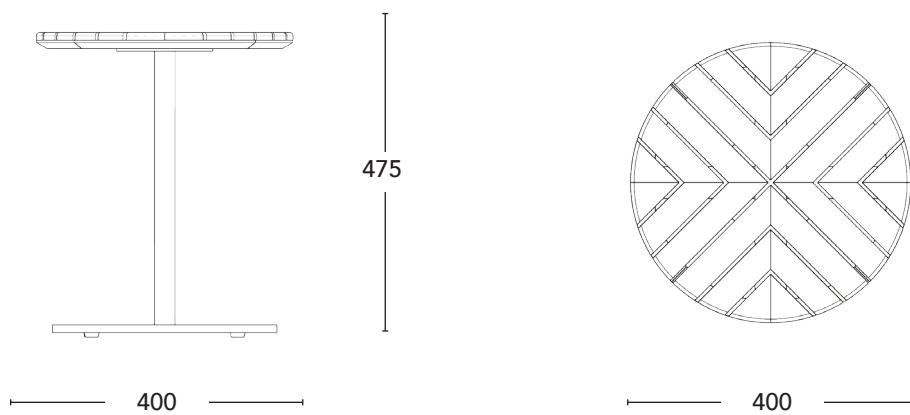
TEAK

1 pcs  
0.094 m³ 7.49 kg
3.32 cbft³ 16.51 lbs

TPOLOGY



ENA COFFEE TABLE



Dimensions:

Width: 450 mm / 17.7"

Depth: 450 mm / 17.7"

Height: 475 mm / 18.7"

Product Description:

- ENA coffee tables have a solid teak tabletop finished with teak oil, suitable for humid weather and rainfall.
- The base is powder coated aluminum, resistant to surface tear and rusting.

ꞑkoleksiyon