

# TEAMWALL

Designed by  
**Koray Malhan**



---

## VALUE PROPOSAL



Teamwall is designed for meeting and presentation organizations. There are panel options with shelves, whiteboard panels, and UK/European compatible sockets.

# TEAMWALL

Designed by  
**Koray Malhan**

---

## PRODUCTION TIME



6-8 weeks + Shipping

---

## ASSEMBLY NOTES



The product is delivered disassembled.

---

## WARRANTY



The warranty period shall be two years as of the date of delivery of the product.

Any malfunction that arises out of such use of the product that is in breach of the requirements and specifications set forth within the relevant user's manual shall be excluded from the warranty scope.

Warranty does not apply to customer's own fabric, leather, or other materials.

---

## CLEANING & MAINTENANCE



Clean with a damp cloth with no chemical agents.

The maintenance and cleaning instructions for fabric, wood, marble, glass, metal and plastic used in our products are available in the cleaning and maintenance manual.

\*Please scan the QR code to see the cleaning and maintenance manual.



## COLORS & MATERIALS



**Panels:** Upholstered or laminated chipboard, varies based on the model

**Frame:** Powder coated aluminum

**Legs:** Powder coated metal

**Casters:** Black casters with brakes

**Shelves:** Selected laminates on chipboard and MDF

Teamwall Series supports following upholsteries of the Koleksiyon colours and materials catalogue.  
Please scan the QR code to see the fabric information.



### Fabrics

- A** Crepe
- B** Valor  
Era
- C** Furnilana
- D** Synergy

### Laminate



3101  
WHITE



3153  
LIGHT GREY



3241  
GREY



4598  
REAL OAK



4599  
DARK OAK

### Metal Finish

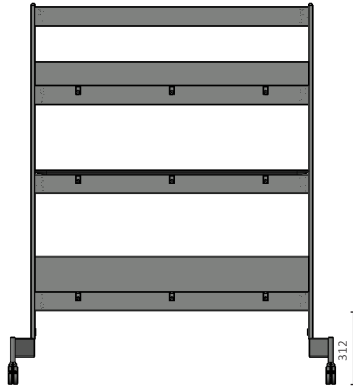


RAL7021  
ANTHRACITE

TYPOLOGY



TEAMWALL S0 DIVIDER WITH SHELF



0.230 m<sup>3</sup>  
8.12 cbft<sup>3</sup>

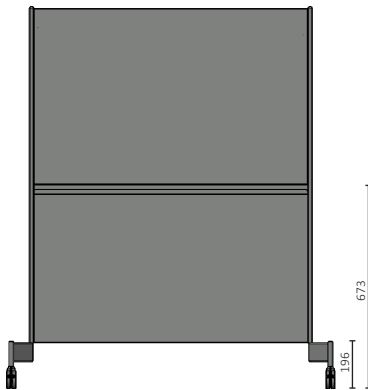
**Dimensions:**

**Overall Width:** 1394 mm / 54.9"  
**Overall Depth:** 620 mm / 24.4"  
**Overall Height:** 1623 mm / 64"

**Product Description:**

The top and bottom shelves of this divider are particleboard-core with laminate finish. The middle shelf is chamfered knife edge with wax finish. The frame and legs are powder coated metal, and the base consists of four black plastic casters with brakes. The distance between the floor and the bottom of the panel is 312 mm/12.3".

TEAMWALL S0 DIVIDER WITH WHITE BOARD



0.287 m<sup>3</sup> 61.5 kg  
10.13 cbft<sup>3</sup> 135.58 lbs

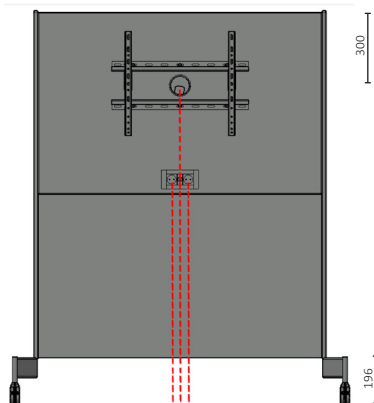
**Dimensions:**

**Overall Width:** 1374 mm / 54.9"  
**Overall Depth:** 620 mm / 24.4"  
**Overall Height:** 1623 mm / 64"

**Product Description:**

This divider features a half upholstered and half whiteboard front surface, and a fully upholstered back surface. The frame is powder coated aluminum and the legs feature casters with breaks. The distance between the floor and the bottom of the panel is 196 mm/7.7".

TEAMWALL S0 DIVIDER WITH TV STAND



0.170 m<sup>3</sup>  
6.00 cbft<sup>3</sup>

**Dimensions:**

**Overall Width:** 1374 mm / 54.9"  
**Overall Depth:** 620 mm / 24.4"  
**Overall Height:** 1623 mm / 64"

**Product Description:**

This divider features a half upholstered and half white laminated MDF on the front surface, and a fully upholstered back surface. The frame is powder coated aluminum and the legs feature casters with breaks. This product accommodates a flat screen TV up to 42". The cable lines are marked in red. The distance between the floor and the bottom of the panel is 196 mm/7.7".

Red lines indicate inner cable layouts.

☺ koleksiyon